

Built-In Fan Coil

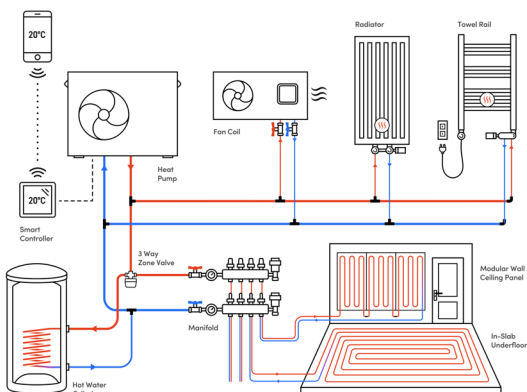
Hidden Comfort, Seamless Style

The Built-In Fan Coil units (FC-HBI) offer discreet and space-saving heating and cooling solutions, delivering efficient temperature regulation while remaining concealed within false ceilings or walls. Designed for seamless integration, they are an ideal choice for applications where aesthetics and performance are equally important.

Simple Integration

Fan coils are a great solution for both new builds and some existing hydronic systems. They deliver heating or cooling to areas that may be difficult to achieve comfort with traditional radiators or underfloor systems. With fan coils, you can use the same heat source and pipework for both heating and cooling. There's no need for separate systems like split air conditioners. Because they use water to transfer heat or cool air, only a small amount of refrigerant is needed and none circulates through your home. That means a cleaner, more efficient option that's also better for the environment.

System Connections



- Low-noise performance for a quiet and comfortable space
- Compact design to suit areas with limited space and protect interior style
- 0-10V signal modulation for real-time fan speed control
- Wide range of output capacities and sizes to match different needs
- Multiple configuration options: out front, in back and out front, or in bottom. Coil can be swapped and piped from the left-hand side
- 2-pipe system with 1/2" BSP female connection ports



Installation Types

Built-In:

The Built-In grille option uses a single bar grille to act as both the supply and return grille for installations above wardrobes or similar. A removable filter is integrated into the grille for easy maintenance. Standard grille sizes for this option are available.

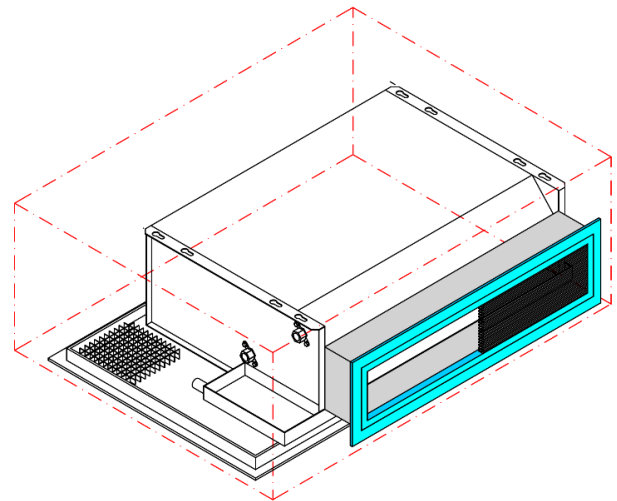
Bulkhead (as shown):

The Bulkhead grille option uses a bar grille to act as the supply grille and an egg crate grille is used as the return grille, the egg crate return grill also acts as the access panel for the unit. Standard grille sizes for this option are available.

Ducted:

The Ducted grille option enables plenums to be fitted to the fan coil to transition to flexible ducting then to supply and return grilles in room(s).

Through careful planning and coordination between the installer and builder, fan coil units are hidden within the structure or joinery unit and only the supply and return grilles are visible in the room.



Product Code	Cooling Capacity	Voltage	Control Type	Weight
FC-HBI-3	3kW	230VAC	0-10VDC	15kg
FC-HBI-6	6kW	230VAC	0-10VDC	25kg
FC-HBI-8	8kW	230VAC	0-10VDC	29kg