

Chofu Fitting KIT

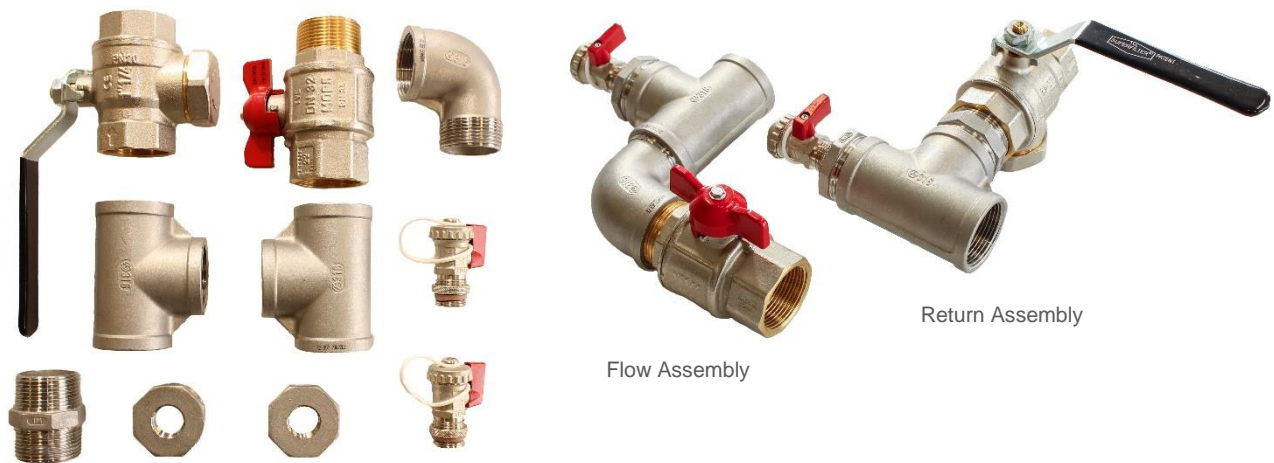


Figure 1: Fitting kit Parts Available in 3/4", 1", 1 1/4"

The **HPFIT06C**, **HPFIT10C**, **HPFIT16C** fitting kits are for 6, 10, 16kW Chofu heat pumps. This kit is intended to make connection of primary feed pipes as simple and compact as possible and still retain key components for isolation, filtration and filling/flushing. See list of included components that make up **HPFIT06C**, **HPFIT10C**, **HPFIT16C**:

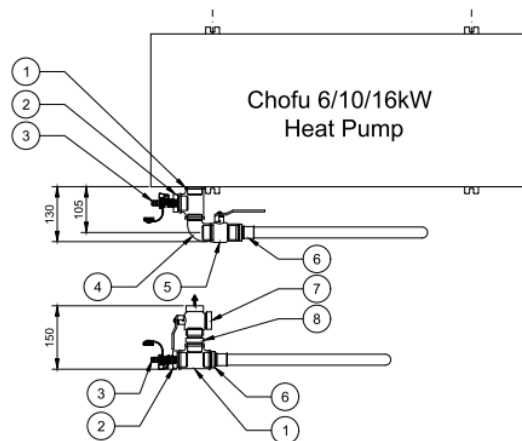
6kW Chofu (HPTF06C)	10kW Chofu (HPTF10C)	16kW Chofu (HPTF16C)
1 x VB34MF	1 x VB1MF	1 x VB114MF
1 x VBALLFTVL34	1 x VBALLFTVL1	1 x VBALLFTVL114
2 x DRAINTAP15	2 x DRAINTAP15	2 x DRAINTAP15
2 x 3/4" SS Tee	2 x 1" SS Tee	2 x 1 1/4" SS Tee
2 x 3/4" – 1/2" SS Reducing Bush	2 x 1" – 1/2" SS Reducing Bush	2 x 1 1/4" – 1/2" SS Reducing Bush
1 x 3/4" SS MF Elbow	1 x 1" SS MF Elbow	1 x 1 1/4" SS MF Elbow
1 x 3/4" SS Hex Nipple	1 x 1" SS Hex Nipple	1 x 1 1/4" SS Hex Nipple

(excluded items)

Required primary pipe fitting size for flow and return assembly: 3/4", 1", 1 1/4"

Recommended fitting: [MT2534MT](#), [MT321MT](#), [MT32114MT](#)

Fittings List Per branch											
6kW				10kW				16kW			
Fitting Index	Flow Branch	Fitting Index	Return Branch	Fitting Index	Flow Branch	Fitting Index	Return Branch	Fitting Index	Flow Branch	Fitting Index	Return Branch
1	3/4" Tee	7	3/4" Filter Ball Valve	1	1" Tee	7	1" Filter Ball Valve	1	1 1/4" Tee	7	1 1/4" Filter Ball Valve
2	3/4" To 1/2" Bush	8	3/4" Nipple	2	1" To 3/2" Bush	8	1" Nipple	2	1 1/4" To 3/2" Bush	8	1 1/4" Nipple
3	1/2" Drain Fill Valve	1	3/4" Tee	3	1/2" Drain Fill Valve	1	1" Tee	3	1/2" Drain Fill Valve	1	1 1/4" Tee
4	3/4" MT- FT Elbow	2	3/4" To 1/2" Bush	4	1" MT- FT Elbow	2	1" To 3/2" Bush	4	1 1/4" MT- FT Elbow	2	1 1/4" To 3/2" Bush
5	3/4" Ball Valve (MT-FT)	3	1/2" Drain Fill Valve	5	1" Ball Valve (MT-FT)	3	1/2" Drain Fill Valve	5	1 1/4" Ball Valve (MT-FT)	3	1/2" Drain Fill Valve
6	MT25 3/4" MT	6	MT25 3/4" MT	6	MT32 1" MT	6	MT32 1" MT	6	MT32 1 1/4" MT	6	MT32 1 1/4" MT
	MT25 Pipe As Feeds		MT25 Pipe As Feeds	7	MT32 Pipe As Feeds		MT32 Pipe As Feeds	7	MT32 Pipe As Feeds		MT32 Pipe As Feeds



To achieve the dimensions stated above it is recommended that all fittings are threaded to the bottom threads where possible. CHNZ recommend using Loctite 55 thread cord, Hemp and Hawk White or other thread sealing products for these joints.

Insulation of the fitting kit is required.