

WTC-ES / WTC-IS / WTC-ISMR

Installation and operating manual

Thermostat contact

Contact Thermostat

Anlegethermostat

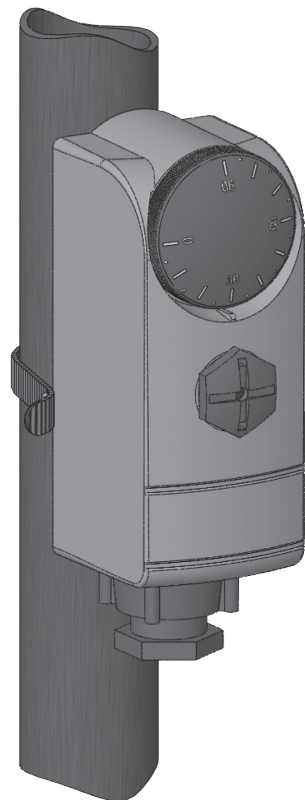
Contact Thermostaat

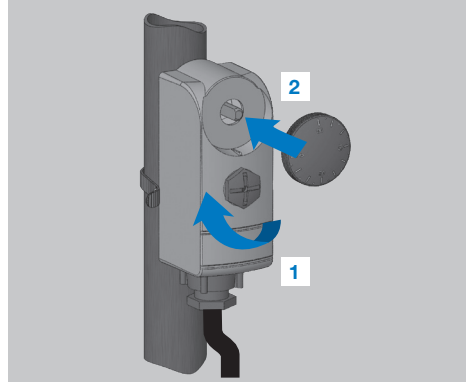
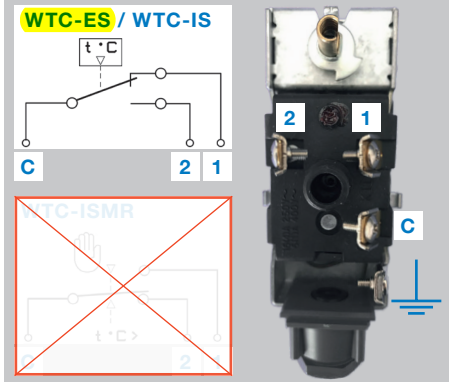
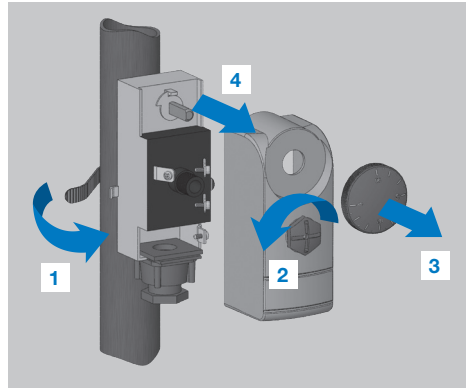
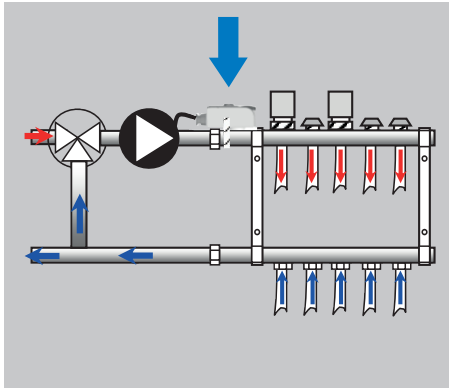
Termostato a contatto

Termostato de contacto

Anligningstermostat

Накладной термостат





Technical Characteristics

Max. contact temperature	110°C
Setting temperature range	30 °C – 90°C
Differential	5°C
Electrical Protection	Class I, IP40
Materials Cover / Base	ABS V0 / Galvanised steel
Contacts rating	16 (4)A 250VAC / 6 (1)A 400VAC
Product conformed to:	UE 811/2013 and 2010/30/UE
Classification:	I
Contribution:	(1%)
Content of the packaging	The product, this manual
Weight of the product	WTC-IS: 0.188kg, WTC-ES: 0.193kg , WTC-ISMR: 0.187kg
Dimensions	Width: 45 mm, Height: 107 mm, Depth: 53 mm
WTC-ES:	Contact thermostat with external adjustment
WTC-IS:	Contact thermostat with internal adjustment
WTC-ISMR:	Contact thermostat with internal adjustment and manual reset



EN DESCRIPTION

Contact thermostat with bulb to control the water temperature of your water floor heating system or others.

The fixation with spring clip (provided L=230mm) facilitates the assembly and assures a very good thermal contact between the thermostat and pipe.

EU Declaration of conformity

Hereby, Watts electronics declares that the wired equipment is in compliance with the relevant Community harmonisation legislation:

- Directive 2001/95/EC on General Products Safety
- Low Voltage Directive 2014/35/EU
- EMC Directive 2014/30/EU
- ROHS Directive 2011/65/EU

Safety warnings and operating instructions

- This product should be installed preferably by a qualified professional. Subject to observation of the above terms, the manufacturer shall assume the


liability for the equipment as provided by legal stipulations. All instructions in this Installation & Operation manual should be observed when working with the controller.

- Failures due to improper installation, improper use or poor maintenance are voiding manufacturer liability
- Any attempt to repair voids the responsibility and the obligation to guarantee and replacement from the manufacturer.

Disposal and recycling information

The full text of the EU declaration of conformity is available at the following internet address: www.https://wattswater.eu

- 2012/19/EU (WEEE directive): Products marked with this symbol cannot be disposed of as unsorted municipal waste in the European Union. For proper recycling, return this product to your local supplier upon the purchase of equivalent new equipment, or dispose of it at designated collection points. For more information see: www.recyclethis.info



The descriptions and photographs contained in this product specification sheet are supplied by way of information only and are not binding. Watts Industries reserves the right to carry out any technical and design improvements to its products without prior notice." Warranty: All sales and contracts for sale are expressly conditioned on the buyer's assent to Watts terms and conditions found on its website at www.wattsindustries.com Watts hereby objects to any term, different from or additional to Watts terms, contained in any buyer communication in any form, unless agreed to in a writing signed by an officer of Watts.



Watts Electronics S.A.S

B.P. N°10 - Z.A. des Tourettes, 43800 ROSIERES, France,

T: +33(0) 471 57 40 49, F: +33(0) 471 57 40 90,

www.wattsindustries.com