

Brazed heat exchangers

P series

The brazed plate heat exchangers (P series) are used in heating, cooling and heat recuperation systems. The quality of the parts and the brazing process, which is carried out with care, make a trustworthy product. The plate design makes it possible to reach higher heat exchange performances and lower pressure loss. Moreover, the product has an elevated resistance to high temperatures and pressure (T max 195°C, P max 30 bar).

Our brazed plate heat exchangers can be used with many kinds of fluids in various combinations (ex: water/water, water/oil, water/steam, steam/oil, Freon/water, etc.)

Advantages

- compact design
- reasonable weight
- high heat exchange efficiency
- high temperature range (-160/+ 195 °C)
- high max operating pressure (30 bar)

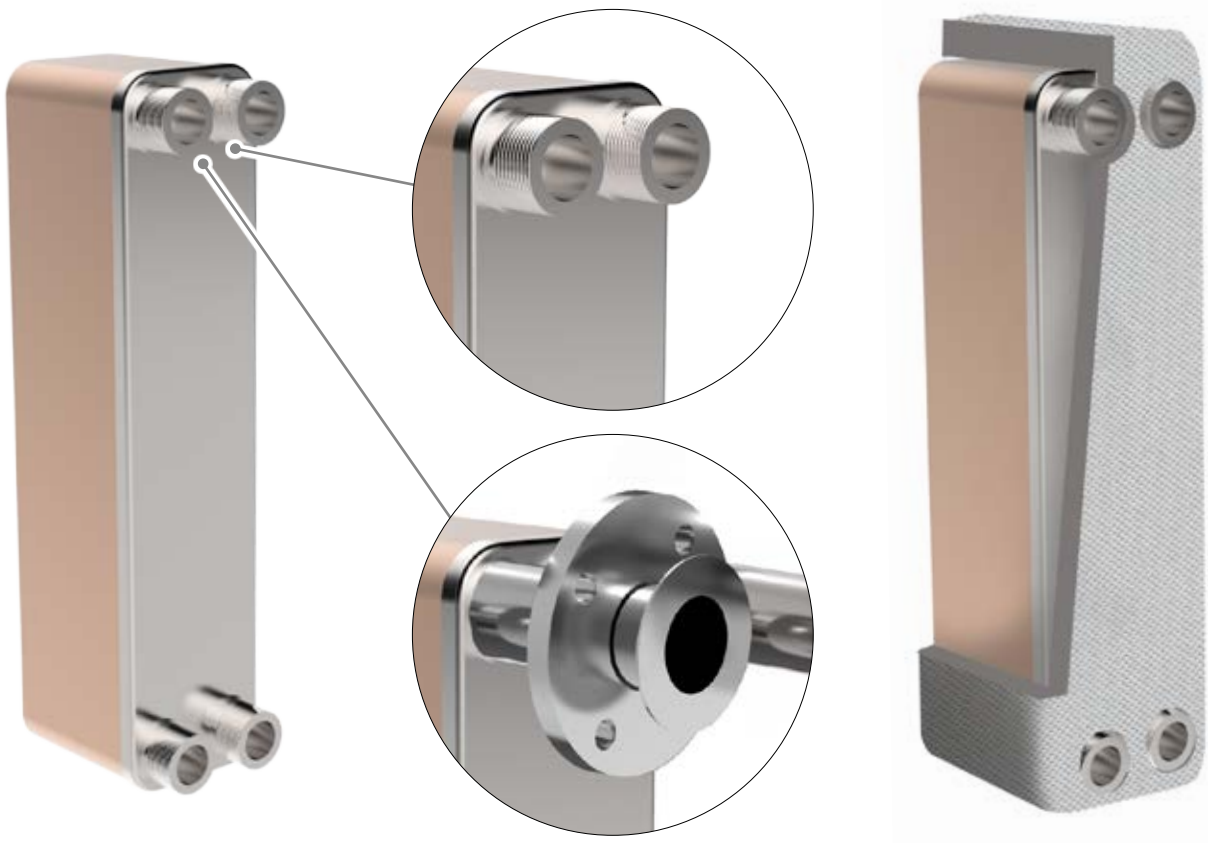
Main applications

- heating/cooling of technical water or industrial fluids
- evaporation and condensation of refrigerant gas
- hydraulic separation of the circuit
- heat recuperation in domestic applications and industrial processes
- functioning with a wide range of compatible fluids
- mechanical and chemical resistance of the materials



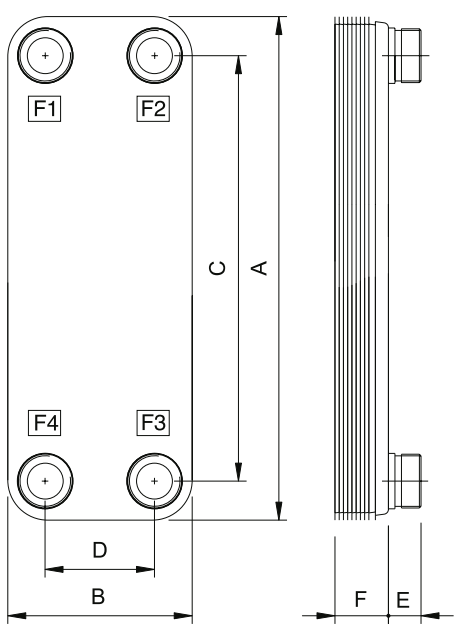
Brazed heat exchangers P series

Available couplings for brazed heat exchangers: threaded and flanged



All brazed heat exchangers are manufactured with four threaded couplings. On request, special versions can be provided with extra couplings and flanged couplings

The brazed heat exchangers can also be insulated.



Model	A	B	C	D	E	F	Diameter coupling
P4	310	111	250	50	24	9+2,4xN*	1"
P7	526	120	473	66	27	9+2,57xN*	1 1/4"
P15	530	256	439	177	27	10+2,48xN*	2"
P30	782	350	655	220	27	11+2,90xN*	2 1/2"

*Plates No.

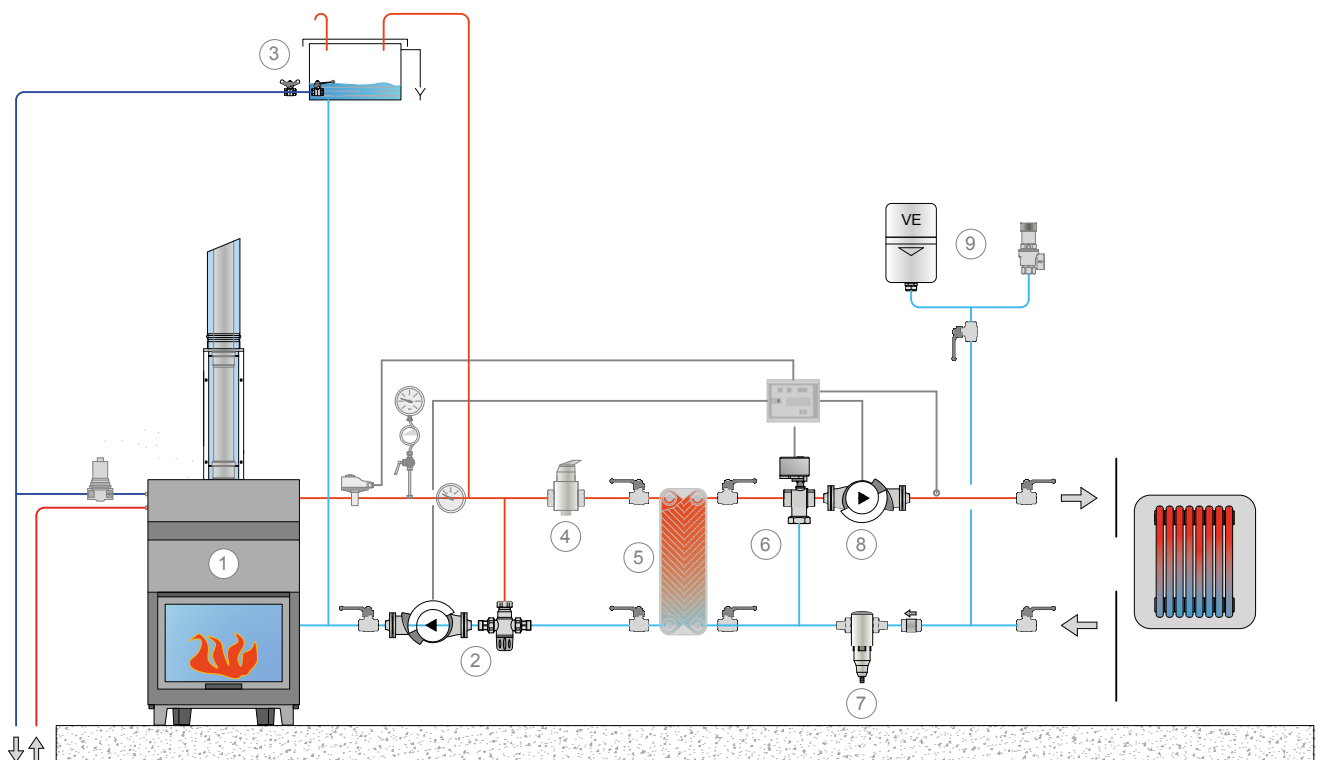
Brazed heat exchanger

Options > Separation between thermal source and device

The ideal solution for devices with an open vessel

In this type of installation, the exchanger is installed between the thermal source with open vessel and the heating system with closed vessel. The option ensures:

- ✓ Heat exchange between two fluids with a different pressure;
- ✓ Protection of the heat generator from dangerous overpressure;
- ✓ Protection of the heat generator from impurities in the device



Legend

1. Biomass heat generator
2. Anti-condensation return unit
3. Open expansion vessel
4. Deaerator
5. Fiorini plate heat exchanger
6. Three way mixing valve
7. Dirt separator
8. Booster pump of the thermal device
9. Safety unit



Tables for fast selection

power kW	primary circuit		secondary circuit		packaging		heat exchanger		insulation	
	flow L/h	p.d.c. kPa	flow L/h	p.d.c. kPa	dimensions cm	weight kg	code	price	code	price
20	1760	30	1750	23	43x22x24	10	P4-14 - 821020831X		843090016X	
25	2200	22	2190	18	43x22x24	10	P4-20 - 821020834X		843090017X	
30	2640	30	2630	26	43x22x24	10	P4-20 - 821020834X		843090017X	
35	3080	40	3070	34	43x22x24	10	P4-20 - 821020834X		843090017X	
40	3520	24	3510	22	43x22x24	12	P4-30 - 821020837X		843090018X	
45	3960	30	3950	27	43x22x24	12	P4-30 - 821020837X		843090018X	
50	4400	36	4380	32	43x22x24	12	P4-30 - 821020837X		843090018X	
55	4840	26	4820	24	43x22x24	13	P4-40 - 821020840X		843090019X	
60	5280	30	5260	28	43x22x24	13	P4-40 - 821020840X		843090019X	

- › Primary circuit: 80-70 °C
- › Secondary circuit: 60-70 °C

power kW	primary circuit		secondary circuit		packaging		heat exchanger		insulation	
	flow L/h	p.d.c. kPa	flow L/h	p.d.c. kPa	dimensions cm	weight kg	code	price	code	price
20	1760	7	1750	6	43x22x24	12	P4-30 - 821020837X		843090018X	
25	2200	10	2190	9	43x22x24	12	P4-30 - 821020837X		843090018X	
30	2640	14	2630	13	43x22x24	12	P4-30 - 821020837X		843090018X	
35	3080	11	3070	10	43x22x24	13	P4-40 - 821020840X		843090019X	
40	3520	14	3510	13	43x22x24	13	P4-40 - 821020840X		843090019X	
45	3960	12	3950	12	43x22x24	15	P4-50 - 821020842X		843090020X	
50	4400	15	4380	14	43x22x24	15	P4-50 - 821020842X		843090020X	

- › Primary circuit: 80-70 °C
- › Secondary circuit: 65-75 °C