

Description

UP 15-14 BA PM



Note! Product picture may differ from actual product

Product No.: [97916757](#)

The high-efficiency Grundfos Comfort PM range is a product for domestic hotwater re-circulation with lead free drinking water suitable pump housing for single- and two-family houses

powered by a high efficiency single-phase, 12-pole, permanent-magnet motor.

Features and benefits:

- * Unique AUTOADAPT feature saving up to 48% heat energy and 96% motor energy compared with a standard pump in continuous operation
- * Flushing function
- * Automatic legionella eliminating operation (if supported from the system)
- * Automatic weekend and vacation detection
- * Temperature control (can be chosen through the push button)
- * Continuous operation (can be chosen through the push button)
- * Quick and simple electrical installation due to the highly reliable ALPHA plug
- * dry running detection
- * Easy-to-clean and lime-insensitive spheric rotor
- * Wearless operation due to liquid lubricated bearing
- * No leakage risk due to a static seal
- * Easy maintenance and cleaning through the easy-to-separate pump head fitting almost all competitor pump housings
- * Corrosion resistant lead free brass pump housing
- * No additional motor protection necessary due to integrated motor electronics

Liquid:

Pumped liquid: Water
 Liquid temperature range: 2 .. 95 °C
 Liquid temp: 20 °C
 Density: 998.2 kg/m³

Technical:

TF class: 95
 Approvals on nameplate: VDE,GS,CE

Materials:

Pump housing: Brass MS 68
 Impeller: Stainless steel, EPDM, PPO, PTFE, Graphit

Installation:

Maximum operating pressure: 10 bar
 Pipe connection: Rp 1/2
 Port-to-port length: 80 mm

Description

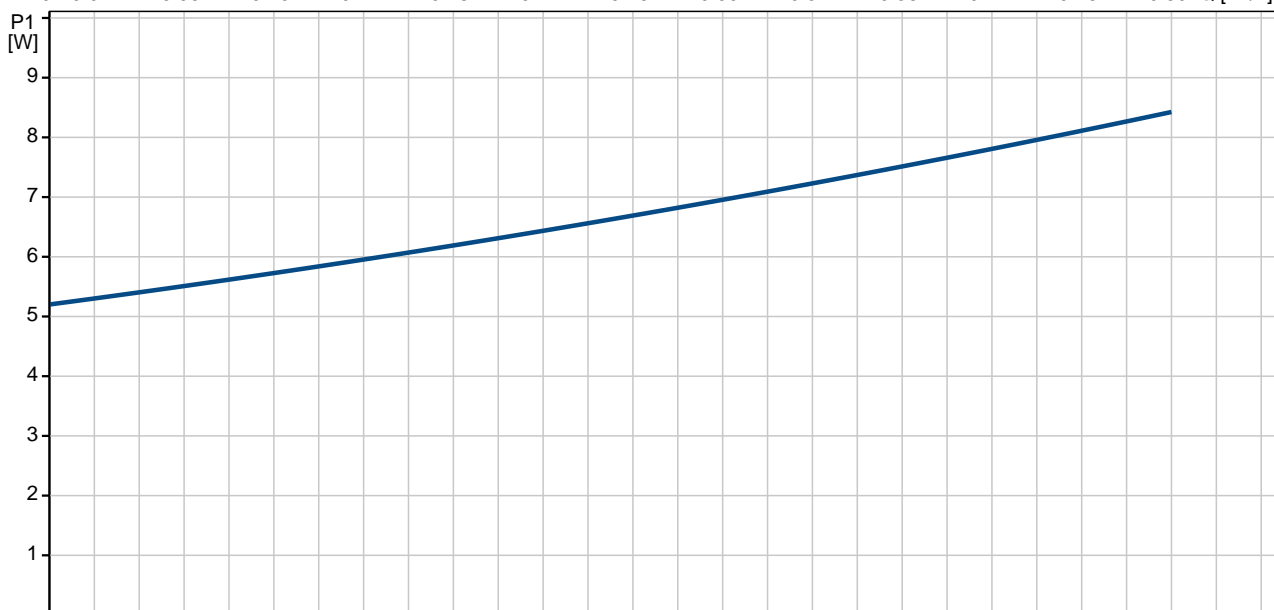
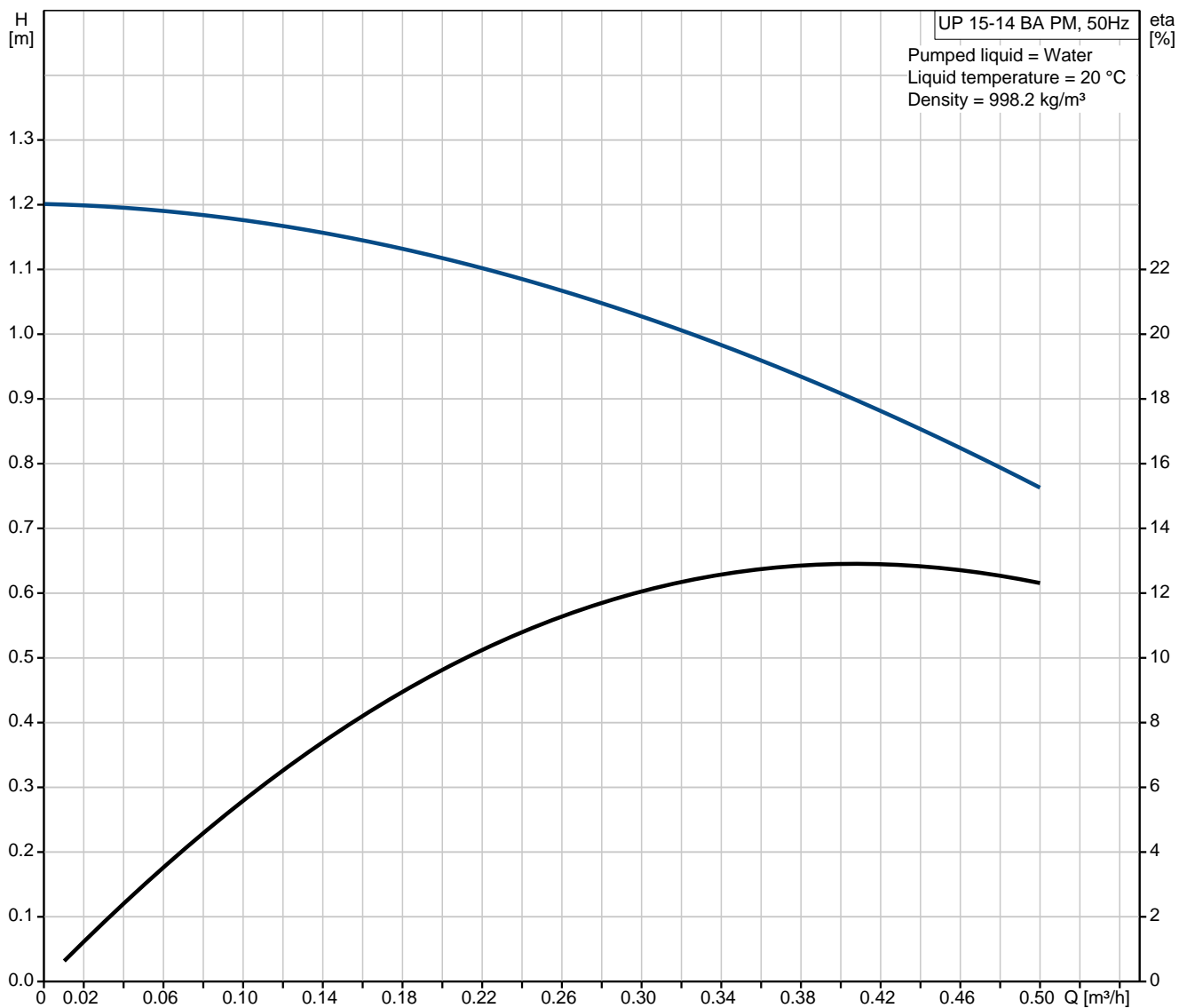
Electrical data:

Max. power input:	8 W
Mains frequency:	50 Hz
Rated voltage:	1 x 230 V
Current in speed 3:	0.07 A
Capacitor size - run:	0.6 μ F
Enclosure class (IEC 34-5):	IP44
Insulation class (IEC 85):	F

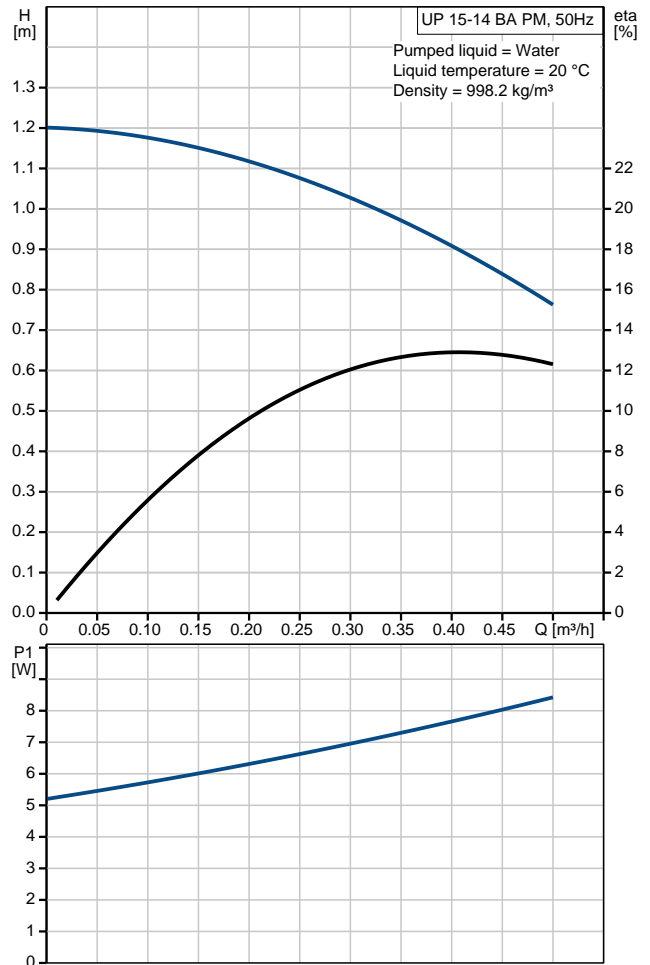
Others:

Net weight:	1 kg
Gross weight:	1.12 kg
Shipping volume:	0.003 m ³

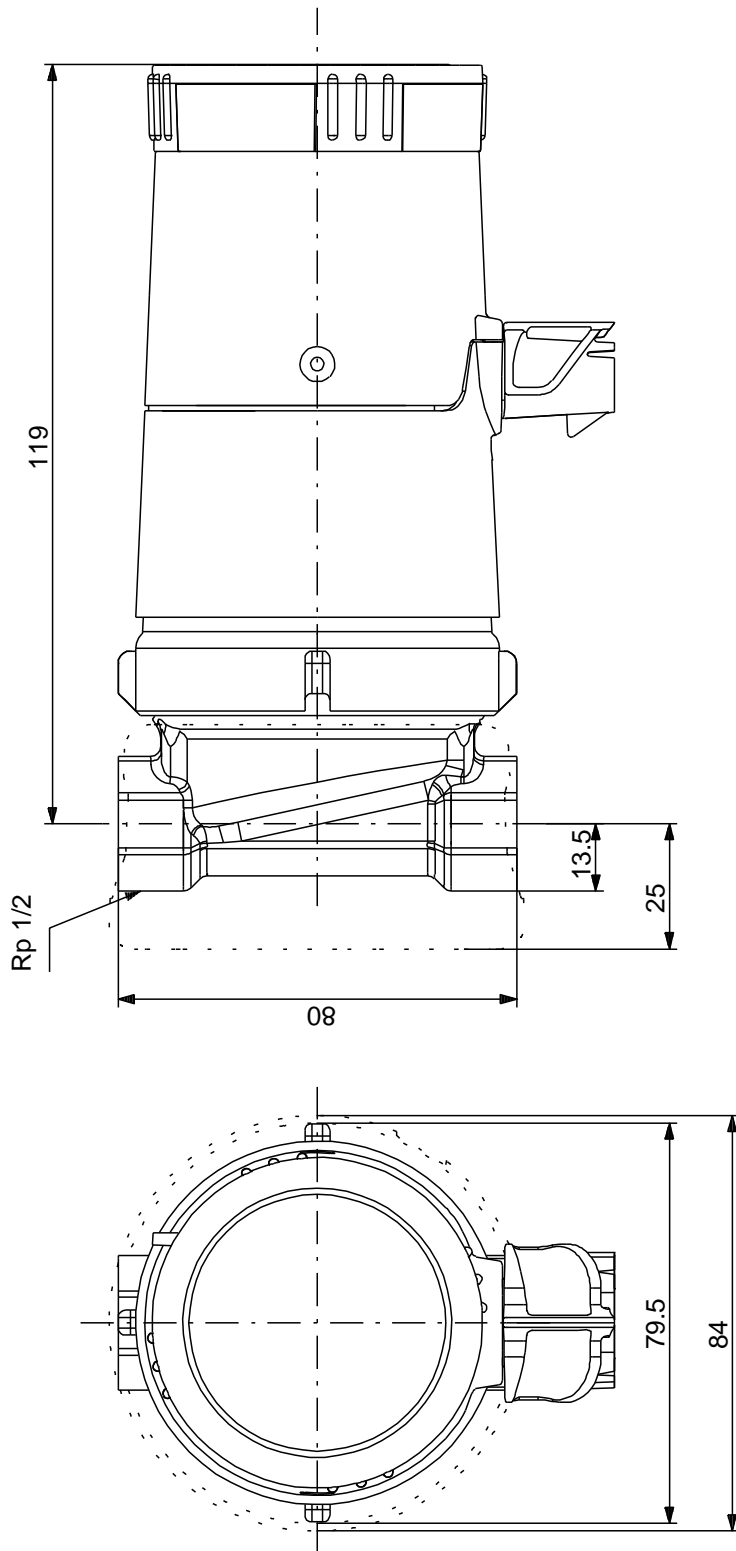
97916757 UP 15-14 BA PM 50 Hz



Description	Value
Product name:	UP 15-14 BA PM
Product No:	97916757
EAN number:	5710626363506
Technical:	
Speed no:	1
Head max:	14 dm
TF class:	95
Approvals on nameplate:	VDE,GS,CE
Materials:	
Pump housing:	Brass MS 68
Impeller:	Stainless steel, EPDM, PPO, PTFE, Graphit
Installation:	
Maximum operating pressure:	10 bar
Pipe connection:	Rp 1/2
Port-to-port length:	80 mm
Liquid:	
Pumped liquid:	Water
Liquid temperature range:	2 .. 95 °C
Liquid temp:	20 °C
Density:	998.2 kg/m ³
Electrical data:	
Max. power input:	8 W
Mains frequency:	50 Hz
Rated voltage:	1 x 230 V
Current in speed 3:	0.07 A
Capacitor size - run:	0.6 µF
Enclosure class (IEC 34-5):	IP44
Insulation class (IEC 85):	F
Motor protec:	NONE
Thermal protec:	Impedance protected
Others:	
Net weight:	1 kg
Gross weight:	1.12 kg
Shipping volume:	0.003 m ³



97916757 UP 15-14 BA PM 50 Hz



Note! All units are in [mm] unless others are stated.
Disclaimer: This simplified dimensional drawing does not show all details.