

Construction sheet

Project.:

Date: 29/10/2012

contact person:
Direct dialing:

Plate-Heat-Exchanger, bolted

Version: 4.05.4.0e [HVAC]

Pos.:

Unit: K042-19-1-N

Dimensional sketch

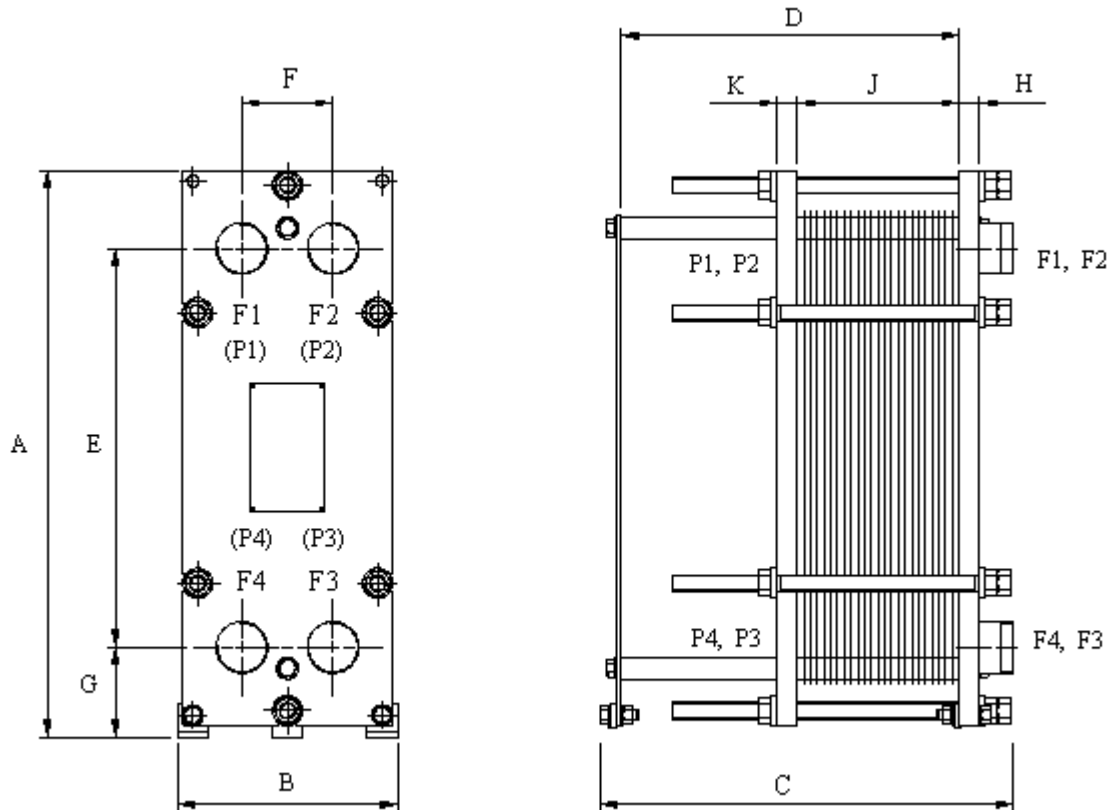


table of masses [appr. mm, inch], max. no. of plates 38

	:mm	:inch
A: Total height	:470	:18.5
B: Total width	:200	:7.9
C: Total length	:263.5	:10.4
D: Length of carrier bar	:180	:7.1
E: Distance between nozzles, vertical	:380	:15.0
F: Distance between nozzles, horizontal	:45	:1.8
G: midpoint of nozzle from the ground	:15	:0.6
H: Thickness of frame plate	:15	:0.6
K: Thickness of pressure plate	:0	:0.0
J: Length of the plate-package	:55.1	:2.2

Connections

Hot side: F1 => F4 :
Threaded pipe, male,
DN 32, Stainless steel, G 1 1/4"

Cold side: F3 => F2 :
Threaded pipe, male,
DN 32, Stainless steel, G 1 1/4"

Subject to change