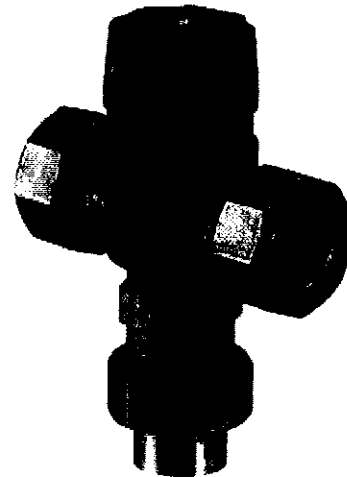


Heatguard® UFH Blending Valve - 22mm

Highflow thermostatic blending valve for underfloor heating applications.

Product Features and Benefits

- High flow rates - suitable for systems up to 150sqm
- Superb temperature control
- Quick reaction to supply temperature changes
- User adjustable between 35°C to 65°C
- Compression type connections for ease of installation
- Lockable temperature adjustment mechanism



Description

Thermostatic blending valve available with 22mm connections. RWC wax capsule technology ensures stable mixed water temperature. Suitable for blending the flow and return to achieve a stable system temperature in underfloor heating systems up to 150 square metres.

Product Range

HEAT 219 058

22mm Heatguard®
UFH Blending Valve

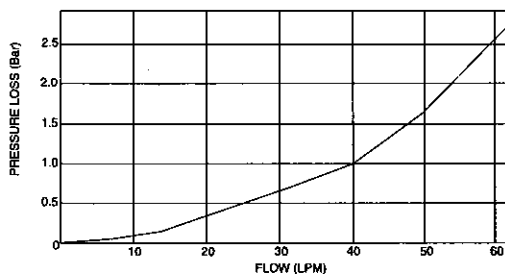
Materials

| | |
|----------------------------|------------------------------|
| Body: | Cast gunmetal, nickel plated |
| Internal brass components: | DZR brass |
| Seals: | Nitrile elastomer |
| Spring: | Stainless steel |
| Piston: | Polysulfone polymer |
| Fittings: | DZR brass |

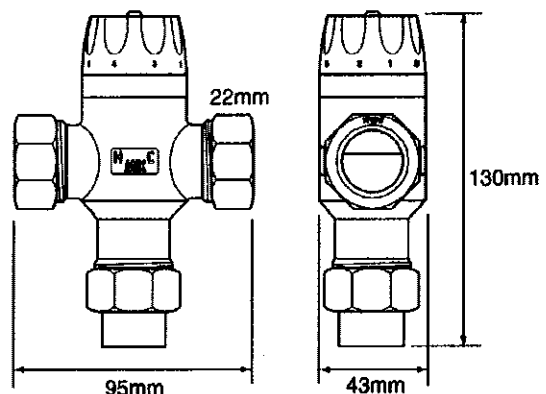
Specifications

| | |
|---------------------------|--------------------------|
| Temperature setting range | 35°C - 60°C |
| Flow supply temperature | 85°C max |
| Return supply temperature | 5°C - 75°C |
| Temperature stability | ± 2°C |
| Working pressure, static | 10 bar max |
| Working pressure, dynamic | 6 bar max 0.2 bar min |

Performance



Dimensions



All dimensions in mm unless stated otherwise

Typical Installation

