

RN 871 THE ART DECO 871
RN 650 THE ART DECO 650

Available in two heights the Art Deco range boasts exuberant detail of the roaring 1920s. A decade of indulgence in the new style of Jazz, dance and popular fashion. The Liberty is sure to add a touch of 20s glamour to any space.



Arroll®

THE ART DECO 871

RADIATOR DIMENSIONS

Leg section height:	871mm
Middle section height:	792mm
Section length	79mm
Radiator depth:	222mm

INLET & EXIT

Bottom inlet to floor:	120mm
Top inlet to floor:	820mm
Pipe centres to skirting board:	110mm

HEAT OUTPUT PER SECTION

Delta ΔT 50°C	157Watts / 537BTUs
Delta ΔT 60°C:	169Watts / 578BTUs

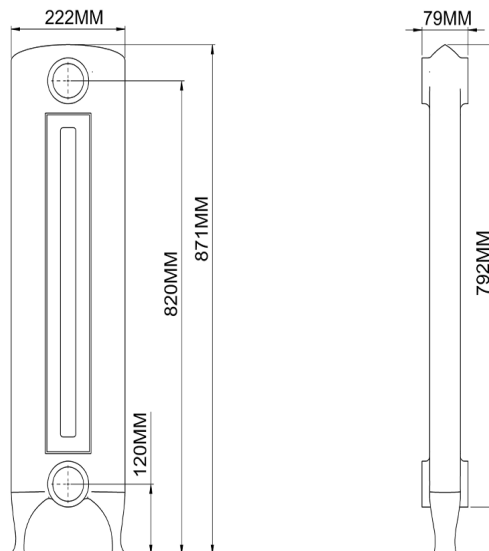
RADIATOR WEIGHT

Empty weight per leg section:	33.70Kgs
Empty weight per middle section:	32.44Kgs
Filled weight per leg section:	41.96Kgs
Filled weight per middle section:	40.56Kgs

INTERNAL VOLUME

Leg section	3900ml
Middle section	3900ml

*All measurements and sizes are approximate.



RN 817 - RN 650 THE ART DECO 817 & 650

Terms & Conditions

It is the policy of Arroll Limited to allow a 4% +/- tolerance on all measurements and sizes provided. It is not recommended that plumbers fit pipe centres prior to the arrival and fitting of the radiator. Warranty is subject to the installation of the radiator in accordance to the fitting instructions supplied. The Arroll name including its trademark is registered property of Arroll Limited, Belfast.

RN 871 THE ART DECO 871
RN 650 THE ART DECO 650



Arroll®

THE ART DECO 650

RADIATOR DIMENSIONS

Leg section height:	650mm
Middle section height:	603mm
Section length	80mm
Radiator depth:	135mm

INLET & EXIT

Bottom inlet to floor:	96mm
Top inlet to floor:	595mm
Pipe centres to skirting board:	68mm

HEAT OUTPUT PER SECTION

Delta ΔT 50°C	88Watts / 300BTUs
Delta ΔT 60°C:	109Watts / 372BTUs

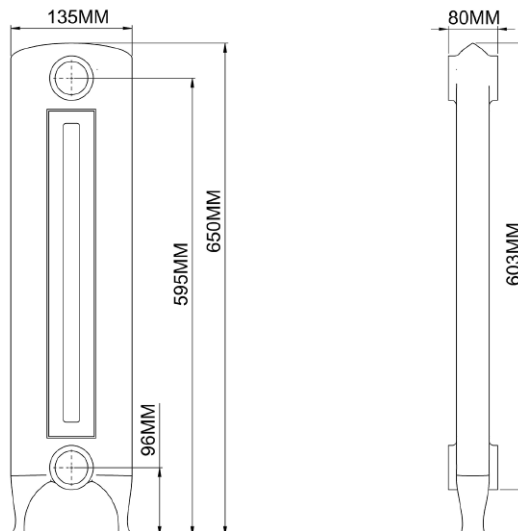
RADIATOR WEIGHT

Empty weight per leg section:	17.96Kgs
Empty weight per middle section:	16.32Kgs
Filled weight per leg section:	22.50Kgs
Filled weight per middle section:	20.98Kgs

INTERNAL VOLUME

Leg section	2300ml
Middle section	2100ml

*All measurements and sizes are approximate.



RN 817 - RN 650 THE ART DECO 817 & 650

Terms & Conditions

It is the policy of Arroll Limited to allow a 4% +/- tolerance on all measurements and sizes provided. It is not recommended that plumbers fit pipe centres prior to the arrival and fitting of the radiator. Warranty is subject to the installation of the radiator in accordance to the fitting instructions supplied. The Arroll name including its trademark is registered property of Arroll Limited, Belfast.