

RM 592/2 THE DUCHESS 592
RM 793/2 THE DUCHESS 793

Taken from the American Standard design and available in two sizes the Peerless is similar to the princess radiator within our range but with a shallower curve to the top and a more detailed scrolled leg. A classical radiator that using our expert finishing services can suite a traditional or more contemporary home.



Arroll®

THE DUCHESS 592

RADIATOR DIMENSIONS

Leg section height:	592mm
Middle section height:	537mm
Section length	70mm
Radiator depth:	172mm

INLET & EXIT

Bottom inlet to floor:	98mm
Top inlet to floor:	550mm
Pipe centres to skirting board:	85mm

HEAT OUTPUT PER SECTION

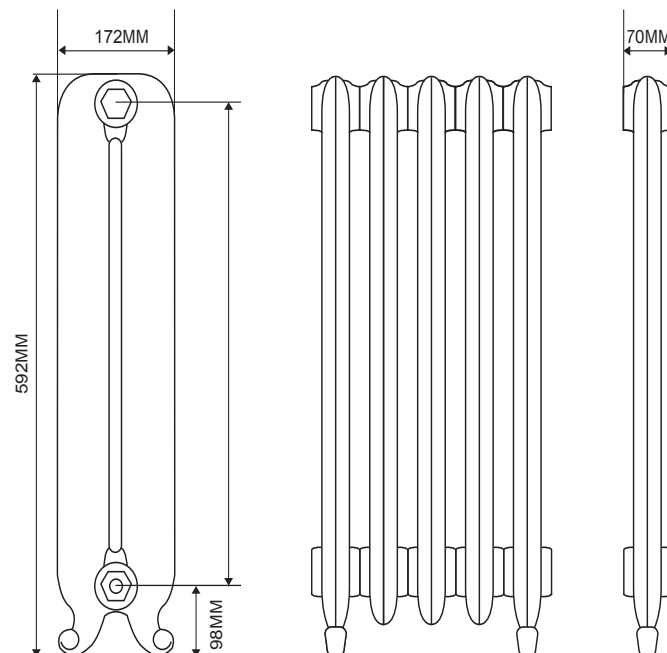
Delta ΔT 50°C	87Watts / 298BTUs
Delta ΔT 60°C:	110Watts / 376BTUs

RADIATOR WEIGHT

Empty weight per leg section:	7.64Kgs
Empty weight per middle section:	6.75Kgs
Filled weight per leg section:	9.91Kgs
Filled weight per middle section:	9.94Kgs

INTERNAL VOLUME

Leg section	1850ml
Middle section	1900ml



*All measurements and sizes are approximate.

Terms & Conditions

It is the policy of Arroll Limited to allow a 4% +/- tolerance on all measurements and sizes provided. It is not recommended that plumbers fit pipe centres prior to the arrival and fitting of the radiator. Warranty is subject to the installation of the radiator in accordance to the fitting instructions supplied. The Arroll name including its trademark is registered property of Arroll Limited, Belfast.

RM 592/2 THE DUCHESS 592
RM 793/2 THE DUCHESS 793



Arroll®

THE DUCHESS 793

RADIATOR DIMENSIONS

Leg section height:	793mm
Middle section height:	738mm
Section length:	67mm
Radiator depth:	172mm

INLET & EXIT

Bottom inlet to floor:	100mm
Top inlet to floor:	750mm
Pipe centres to skirting board:	85mm

HEAT OUTPUT PER SECTION

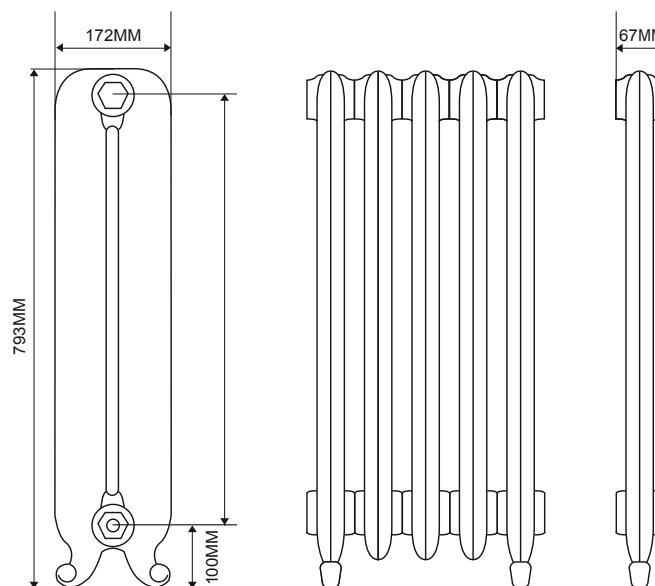
Delta ΔT 50°C:	112Watts / 382BTUs
Delta ΔT 60°C:	141Watts / 482BTUs

RADIATOR WEIGHT

Empty weight per leg section:	9.99Kgs
Empty weight per middle section:	9.03Kgs
Filled weight per leg section:	12.91Kgs
Filled weight per middle section:	11.93Kgs

INTERNAL VOLUME

Leg section:	2500ml
Middle section:	1500ml



*All measurements and sizes are approximate.

Terms & Conditions

It is the policy of Arroll Limited to allow a 4% +/- tolerance on all measurements and sizes provided. It is not recommended that plumbers fit pipe centres prior to the arrival and fitting of the radiator. Warranty is subject to the installation of the radiator in accordance to the fitting instructions supplied. The Arroll name including its trademark is registered property of Arroll Limited, Belfast.