

- RE 360/4** THE EDWARDIAN 360
- RE 475/4** THE EDWARDIAN 475
- RE 660/4** THE EDWARDIAN 660
- RE 760/4** THE EDWARDIAN 760
- RE 955/4** THE EDWARDIAN 955

Influenced by 1930's styling with curved top and crisp clean casting lines the Edwardian is a new range that will suite traditional and modern homes.

With five available heights this cast iron radiator will fit most places.



Arroll®

RE 360/4 - RE 475/4 - RE 660/4 - RE 760/4 - RE 955/4 THE EDWARDIAN 360,475,660,760 & 955

THE EDWARDIAN 360

RADIATOR DIMENSIONS

Leg section height:	360mm
Middle section height:	300mm
Section length	61mm
Radiator depth:	175mm

INLET & EXIT

Bottom inlet to floor:	110mm
Top inlet to floor:	310mm
Pipe centres to skirting board:	85mm

HEAT OUTPUT PER SECTION

Delta ΔT 50°C	47Watts / 160BTUs
Delta ΔT 60°C:	59Watts / 202BTUs

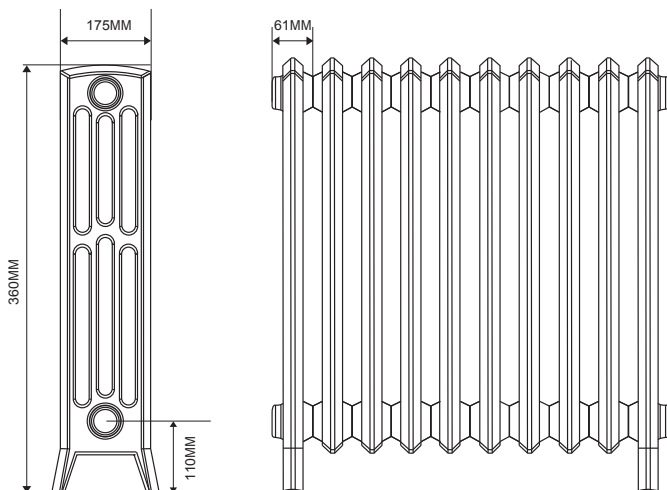
RADIATOR WEIGHT

Empty weight per leg section:	3.81Kgs
Empty weight per middle section:	3.14Kgs
Filled weight per leg section:	4.77Kgs
Filled weight per middle section:	4.15Kgs

INTERNAL VOLUME

Leg section	300ml
Middle section	250ml

*All measurements and sizes are approximate.



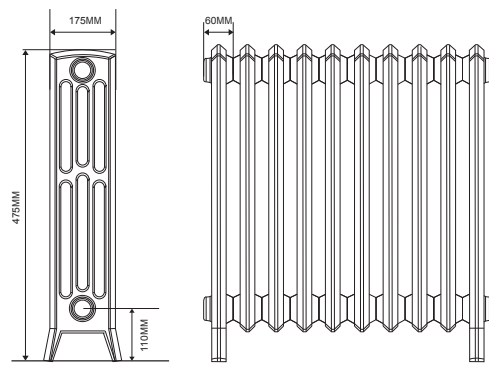
Terms & Conditions

It is the policy of Arroll Limited to allow a 4% +/- tolerance on all measurements and sizes provided. It is not recommended that plumbers fit pipe centres prior to the arrival and fitting of the radiator. Warranty is subject to the installation of the radiator in accordance to the fitting instructions supplied. The Arroll name including its trademark is registered property of Arroll Limited, Belfast.

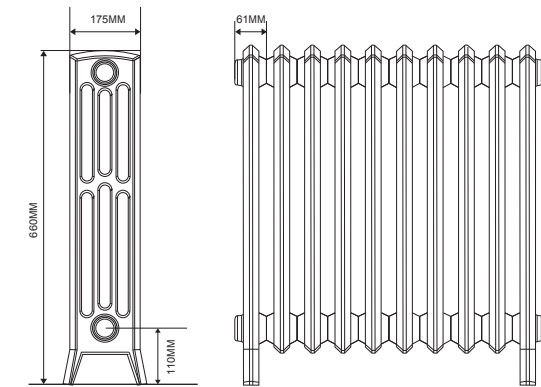
RE 360/4 THE EDWARDIAN 360
RE 475/4 THE EDWARDIAN 475
RE 660/4 THE EDWARDIAN 660
RE 760/4 THE EDWARDIAN 760
RE 955/4 THE EDWARDIAN 955

Arroll[®]

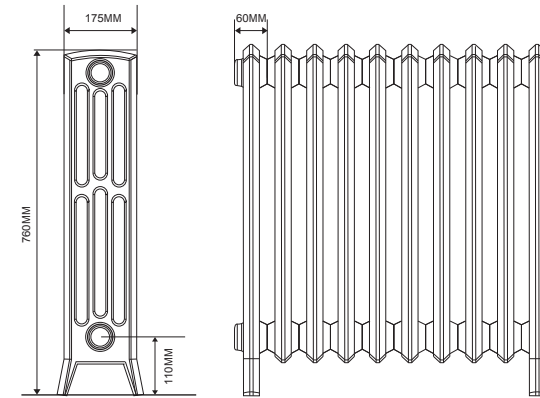
RE 360/4 THE EDWARDIAN 360
RE 475/4 THE EDWARDIAN 475
RE 660/4 THE EDWARDIAN 660
RE 760/4 THE EDWARDIAN 760
RE 955/4 THE EDWARDIAN 955



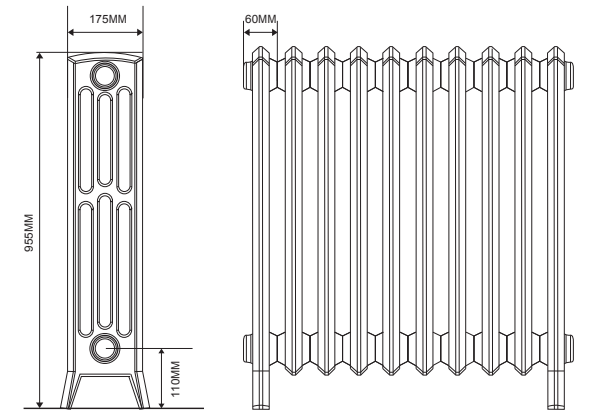
THE EDWARDIAN 475



THE EDWARDIAN 660



THE EDWARDIAN 760



THE EDWARDIAN 955

RADIATOR DIMENSIONS

Leg section height:	475mm
Middle section height:	415mm
Section length	60mm
Radiator depth:	175mm

INLET & EXIT

Bottom inlet to floor:	110mm
Top inlet to floor:	125mm
Pipe centres to skirting board:	85mm

HEAT OUTPUT PER SECTION

Delta ΔT 50°C	62Watts / 212BTUs
Delta ΔT 60°C:	78Watts / 267BTUs

RADIATOR WEIGHT

Empty weight per leg section:	4.55Kgs
Empty weight per middle section:	4.03Kgs
Filled weight per leg section:	5.58Kgs
Filled weight per middle section:	5.11Kgs

INTERNAL VOLUME

Leg section	310ml
Middle section	350ml

*All measurements and sizes are approximate.

RADIATOR DIMENSIONS

Leg section height:	660mm
Middle section height:	600mm
Section length	61mm
Radiator depth:	175mm

INLET & EXIT

Bottom inlet to floor:	110mm
Top inlet to floor:	610mm
Pipe centres to skirting board:	84mm

HEAT OUTPUT PER SECTION

Delta ΔT 50°C	87Watts / 297BTUs
Delta ΔT 60°C:	107Watts / 367BTUs

RADIATOR WEIGHT

Empty weight per leg section:	5.90Kgs
Empty weight per middle section:	5.45Kgs
Filled weight per leg section:	7.09Kgs
Filled weight per middle section:	6.62Kgs

INTERNAL VOLUME

Leg section	400ml
Middle section	400ml

*All measurements and sizes are approximate.

RADIATOR DIMENSIONS

Leg section height:	760mm
Middle section height:	700mm
Section length	60mm
Radiator depth:	175mm

INLET & EXIT

Bottom inlet to floor:	110mm
Top inlet to floor:	710mm
Pipe centres to skirting board:	85mm

HEAT OUTPUT PER SECTION

Delta ΔT 50°C	87Watts / 297BTUs
Delta ΔT 60°C:	69Watts / 375BTUs

RADIATOR WEIGHT

Empty weight per leg section:	6.51Kgs
Empty weight per middle section:	6.28Kgs
Filled weight per leg section:	7.87Kgs
Filled weight per middle section:	7.57Kgs

INTERNAL VOLUME

Leg section	1000ml
Middle section	1000ml

*All measurements and sizes are approximate.

RADIATOR DIMENSIONS

Leg section height:	955mm
Middle section height:	900mm
Section length	60mm
Radiator depth:	175mm

INLET & EXIT

Bottom inlet to floor:	110mm
Top inlet to floor:	910mm
Pipe centres to skirting board:	85mm

HEAT OUTPUT PER SECTION

Delta ΔT 50°C	125Watts / 427BTUs
Delta ΔT 60°C:	158Watts / 539BTUs

RADIATOR WEIGHT

Empty weight per leg section:	8.06Kgs
Empty weight per middle section:	7.09Kgs
Filled weight per leg section:	9.58Kgs
Filled weight per middle section:	8.66Kgs

INTERNAL VOLUME

Leg section	1300ml
Middle section	1200ml

*All measurements and sizes are approximate.

Terms & Conditions
It is the policy of Arroll Limited to allow a 4% +/- tolerance on all measurements and sizes provided. It is not recommended that plumbers fit pipe centres prior to the arrival and fitting of the radiator. Warranty is subject to the installation of the radiator in accordance to the fitting instructions supplied. The Arroll name including its trademark is registered property of Arroll Limited, Belfast.

© Copyright 2019 Arroll Limited

Terms & Conditions
It is the policy of Arroll Limited to allow a 4% +/- tolerance on all measurements and sizes provided. It is not recommended that plumbers fit pipe centres prior to the arrival and fitting of the radiator. Warranty is subject to the installation of the radiator in accordance to the fitting instructions supplied. The Arroll name including its trademark is registered property of Arroll Limited, Belfast.

© Copyright 2019 Arroll Limited

RE 360/4 - RE 475/4 - RE 660/4 - RE 760/4 - RE 955/4 THE EDWARDIAN 360,475,660,760 & 955

RE 360/4 - RE 475/4 - RE 660/4 - RE 760/4 - RE 955/4 THE EDWARDIAN 360,475,660,760 & 955

Arroll[®]