

**KRD 451/3c** THE NEO-CLASSIC 451  
**KRD 649/3c** THE NEO-CLASSIC 649  
**KRD 745/3c** THE NEO-CLASSIC 745

As Part of the Neo classic range , the Neo-Classic 3 column is a narrow design suited for areas where space is crucial the design first emerged in 1890 and represented a revival of an earlier classical style. Similar to our Victorian range, the Neo-Classical differs by having a pointed rather than a flat foot on each leg section.

Simple and stylish, its ordered symmetrical design makes it highly efficient in terms of heat output and convection and works perfectly in both period and modern interior schemes.



**Arroll®**

THE NEO-CLASSIC 451

**RADIATOR DIMENSIONS**

Leg section height:	451mm
Middle section height:	387mm
Section length	60mm
Radiator depth:	120mm

**INLET & EXIT**

Bottom inlet to floor:	45mm
Top inlet to floor:	345mm
Pipe centres to skirting board:	60mm

**HEAT OUTPUT PER SECTION**

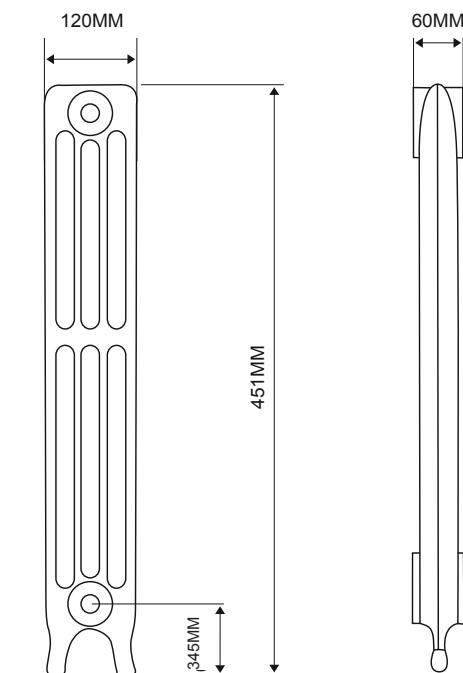
Delta $\Delta T$ 50°C:	48Watts / 164BTUs
Delta $\Delta T$ 60°C:	60Watts /207BTUs

**RADIATOR WEIGHT**

Empty weight per leg section:	8.92Kgs
Empty weight per middle section:	7.80Kgs
Filled weight per leg section:	10.40Kgs
Filled weight per middle section:	8.32Kgs

**INTERNAL VOLUME**

Leg section	300ml
Middle section	300ml



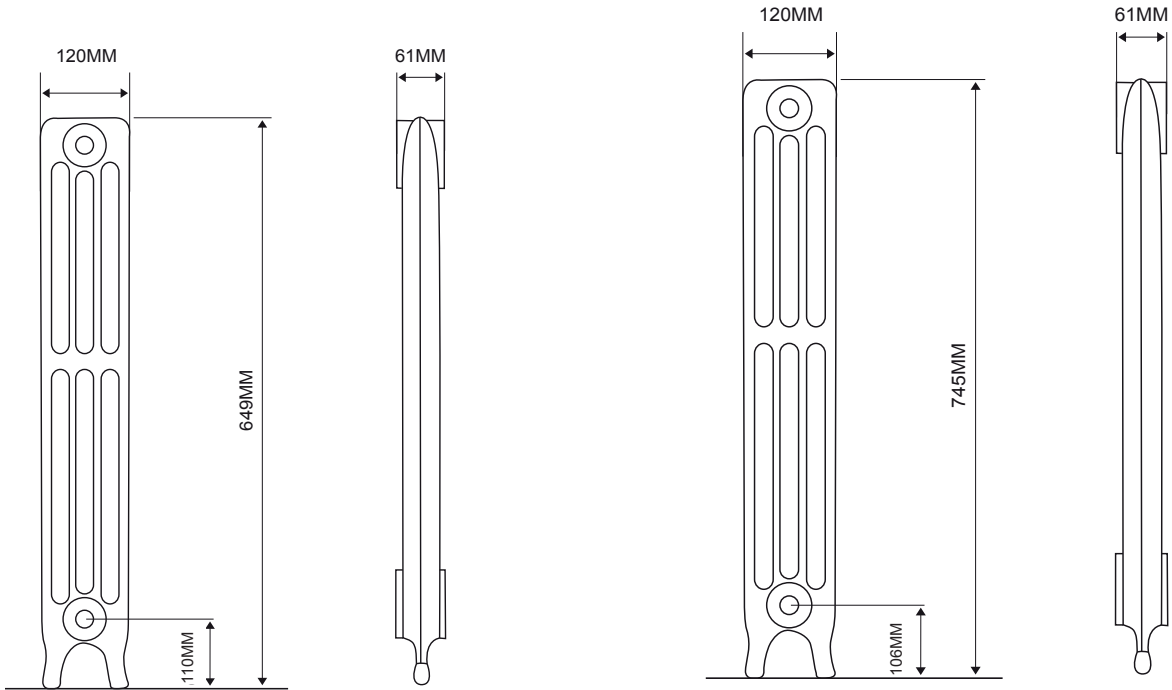
\*All measurements and sizes are approximate.

**Terms & Conditions**

It is the policy of Arroll Limited to allow a 4% +/- tolerance on all measurements and sizes provided. It is not recommended that plumbers fit pipe centres prior to the arrival and fitting of the radiator. Warranty is subject to the installation of the radiator in accordance to the fitting instructions supplied. The Arroll name including its trademark is registered property of Arroll Limited, Belfast.

KRD 451/3c - KRD 649/3c - KRD 745/3c THE NEO-CLASSIC 451, 649, 745

**KRD 451/3c** THE NEO-CLASSIC 451  
**KRD 649/3c** THE NEO-CLASSIC 649  
**KRD 745/3c** THE NEO-CLASSIC 745



THE NEO-CLASSIC 649

**RADIATOR DIMENSIONS**

Leg section height:	649mm
Middle section height:	578mm
Section length	60mm
Radiator depth:	120mm

**INLET & EXIT**

Bottom inlet to floor:	110mm
Top inlet to floor:	610mm
Pipe centres to skirting board:	60mm

**HEAT OUTPUT PER SECTION**

Delta $\Delta T$ 50°C:	73Watts / 249BTUs
Delta $\Delta T$ 60°C:	92Watts /314BTUs

**RADIATOR WEIGHT**

Empty weight per leg section:	11.06Kgs
Empty weight per middle section:	10.62Kgs
Filled weight per leg section:	13.36Kgs
Filled weight per middle section:	12.88Kgs

**INTERNAL VOLUME**

Leg section	1000ml
Middle section	1000ml

\*All measurements and sizes are approximate.

**Terms & Conditions**  
 It is the policy of Arroll Limited to allow a 4% +/- tolerance on all measurements and sizes provided. It is not recommended that plumbers fit pipe centres prior to the arrival and fitting of the radiator. Warranty is subject to the installation of the radiator in accordance to the fitting instructions supplied. The Arroll name including its trademark is registered property of Arroll Limited, Belfast.

THE NEO-CLASSIC 745

**RADIATOR DIMENSIONS**

Leg section height:	745mm
Middle section height:	675mm
Section length	61mm
Radiator depth:	120mm

**INLET & EXIT**

Bottom inlet to floor:	106mm
Top inlet to floor:	710mm
Pipe centres to skirting board:	60mm

**HEAT OUTPUT PER SECTION**

Delta $\Delta T$ 50°C:	92Watts / 313BTUs
Delta $\Delta T$ 60°C:	115Watts /395BTUs

**RADIATOR WEIGHT**

Empty weight per leg section:	5.44Kgs
Empty weight per middle section:	5.24Kgs
Filled weight per leg section:	6.98Kgs
Filled weight per middle section:	6.72Kgs

**INTERNAL VOLUME**

Leg section	1100ml
Middle section	1000ml

\*All measurements and sizes are approximate.