

**RV 463/4** THE VICTORIAN 463  
**RV 760/4** THE VICTORIAN 760

Instantly recognisable, we've created the Victorian 4 column radiator by taking a mould of an original Ideal Standard Radiator from the National Radiator Company.

Unlike the Neo-Classic style, the Victorian has a flat foot on each leg section that helps to prevent damage to floor coverings in the home by spreading its weight more evenly.



**Arroll**<sup>®</sup>

THE VICTORIAN 463

**RADIATOR DIMENSIONS**

Leg section height:	463mm
Middle section height:	383mm
Section length	56mm
Radiator depth:	145mm

**INLET & EXIT**

Bottom inlet to floor:	117mm
Top inlet to floor:	420mm
Pipe centres to skirting board:	74mm

**HEAT OUTPUT PER SECTION**

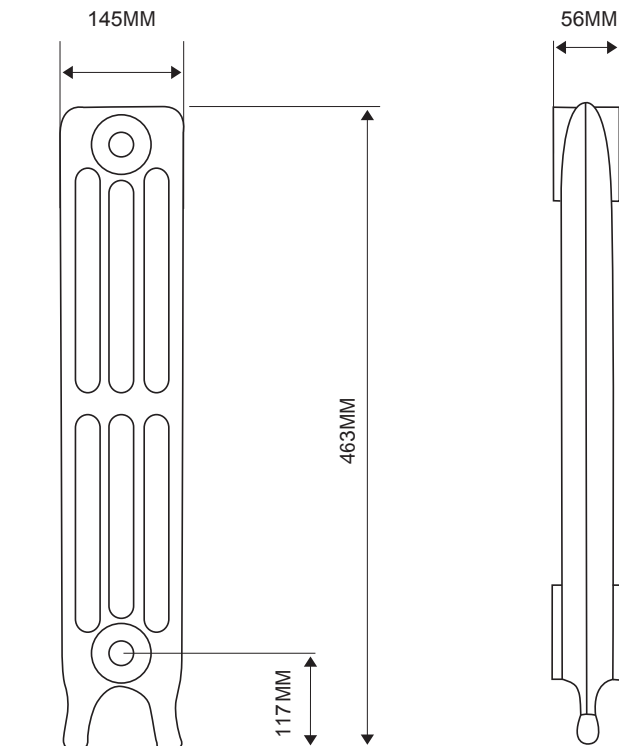
Delta $\Delta T$ 50°C	57.3Watts / 196BTUs
Delta $\Delta T$ 60°C:	62Watts / 213BTUs

**RADIATOR WEIGHT**

Empty weight per leg section:	3.81Kgs
Empty weight per middle section:	3.24Kgs
Filled weight per leg section:	4.89Kgs
Filled weight per middle section:	4.36Kgs

**INTERNAL VOLUME**

Leg section	350ml
Middle section	350ml



\*All measurements and sizes are approximate.

**Terms & Conditions**

It is the policy of Arroll Limited to allow a 4% +/- tolerance on all measurements and sizes provided. It is not recommended that plumbers fit pipe centres prior to the arrival and fitting of the radiator. Warranty is subject to the installation of the radiator in accordance to the fitting instructions supplied. The Arroll name including its trademark is registered property of Arroll Limited, Belfast.

**RV 463/4** THE VICTORIAN 463  
**RV 760/4** THE VICTORIAN 760



**Arroll®**

THE VICTORIAN 760

**RADIATOR DIMENSIONS**

Leg section height:	760mm
Middle section height:	682mm
Section length	59mm
Radiator depth:	146mm

**INLET & EXIT**

Bottom inlet to floor:	116mm
Top inlet to floor:	717mm
Pipe centres to skirting board:	72mm

**HEAT OUTPUT PER SECTION**

Delta $\Delta T$ 50°C	91.6Watts / 313BTUs
Delta $\Delta T$ 60°C:	116Watts / 395BTUs

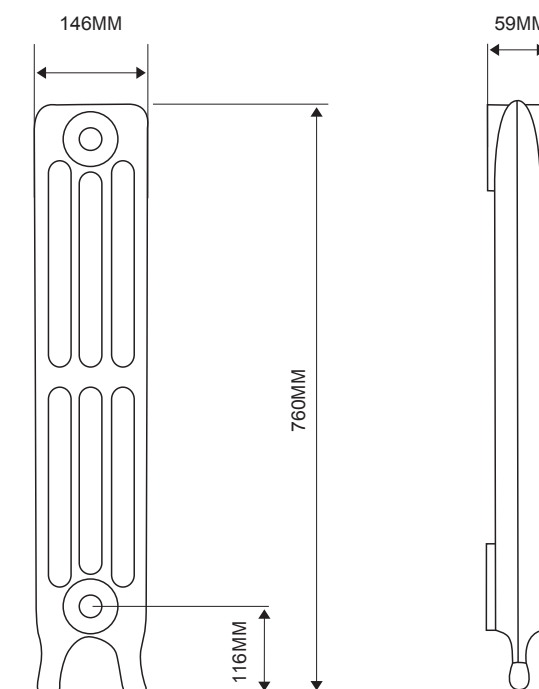
**RADIATOR WEIGHT**

Empty weight per leg section:	5.97Kgs
Empty weight per middle section:	5.64Kgs
Filled weight per leg section:	7.42Kgs
Filled weight per middle section:	7.12Kgs

**INTERNAL VOLUME**

Leg section	1000ml
Middle section	1000ml

\*All measurements and sizes are approximate.



**RV 463/4 - RV 760/4** THE VICTORIAN 463 & 760

**Terms & Conditions**

It is the policy of Arroll Limited to allow a 4% +/- tolerance on all measurements and sizes provided. It is not recommended that plumbers fit pipe centres prior to the arrival and fitting of the radiator. Warranty is subject to the installation of the radiator in accordance to the fitting instructions supplied. The Arroll name including its trademark is registered property of Arroll Limited, Belfast.