

RV 616/2 THE VICTORIAN 615

Arroll Victorian two column cast iron radiators are a perfect for places that depth and space is off premium concern. Replicated from the original American standard this radiator will complement any small space and can be finished in any of our standard finishes or special finishes for a more contemporary home.



Arroll®

THE VICTORIAN 616

RADIATOR DIMENSIONS

Leg section height:	616mm
Middle section height:	568mm
Section length	55mm
Radiator depth:	58mm

INLET & EXIT

Bottom inlet to floor:	85mm
Top inlet to floor:	518mm
Pipe centres to skirting board:	34mm

HEAT OUTPUT PER SECTION

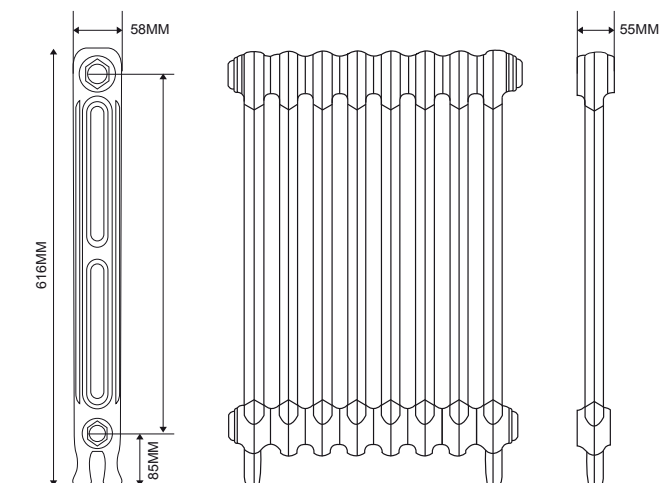
Delta ΔT 50°C	45Watts / 153BTUs
Delta ΔT 60°C:	56Watts / 193BTUs

RADIATOR WEIGHT

Empty weight per leg section:	2.64Kgs
Empty weight per middle section:	2.36Kgs
Filled weight per leg section:	3.17Kgs
Filled weight per middle section:	2.89Kgs

INTERNAL VOLUME

Leg section	200ml
Middle section	200ml



*All measurements and sizes are approximate.

Terms & Conditions

It is the policy of Arroll Limited to allow a 4% +/- tolerance on all measurements and sizes provided. It is not recommended that plumbers fit pipe centres prior to the arrival and fitting of the radiator. Warranty is subject to the installation of the radiator in accordance to the fitting instructions supplied. The Arroll name including its trademark is registered property of Arroll Limited, Belfast.