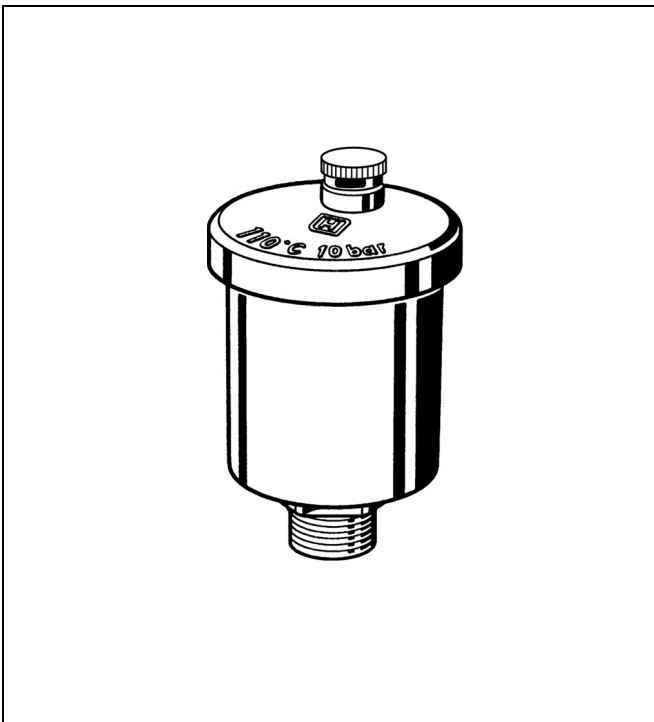


E121 Automatic Air Vent

PRODUCT DATA



Application

The E121 Air Vent is a reliable automatic venting device and is suitable for venting of air or gas from heating systems or heat process installations.

Features

- With the Z121 A shutoff valve fitted, cleaning or replacement of the seal and inner components can be carried out without draining the system.

Range of Application

Hot water heating systems, radiators, wall and ceiling mounted air heaters, air collection vessels, pipework circuits, boilers and air separators

Not suitable for mineral oil or liquids with mineral-oil-based additives.

Specifications

Operating temperature	max. 110°C (240°F)
Operating pressure	max. 10 bar (150 psi)
Connection size	R 3/8" and R 1/2"

Design

The automatic air vent comprises:

- Lid
- Red bronze housing
- Float
- Valve seat seals

Materials

- Brass housing
- Brass lid
- High grade, heat-resistant synthetic material float
- Heat-resistant elastomer seal components

Dimensions

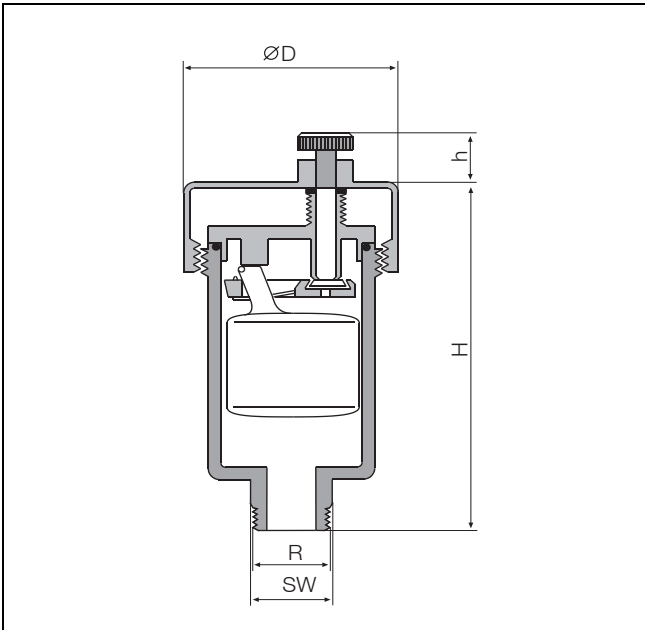


Fig. 1. Dimensions

Function

Inside the automatic air vent there is a floater which operates a lever according to the water level. When there is no water in the housing, then the floater opens the valve. Air can therefore be vented from the heating system during filling. When the heating system has been filled, the inflowing water closes the valve and the vent is shut off. Water usually contains oxygen which bubbles off during operation of the system and collects at the highest point. The automatic air vent must therefore be fitted at the air collection position (highest point on a boiler or pipework circuit).

Options

E121...A = Standard version

└ Connection size

Table 1. Dimensions and Ordering Specifications (Os-Nos.)

Connection size	Dimensions				OS-No.
	R	H	h	D	
3/8"	64	15	47	22	E121-3/8A
1/2"	64	15	47	22	E121-1/2A

Accessories

Shutoff valve



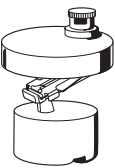
Packing unit 12 pcs,
for connection size R3/8"

Z121-3/8A

Packing unit 12 pcs,
for connection size R1/2"

Z121-1/2A

Air vent cap with float



Packing unit 54 pcs,
threaded connection 44x19,
min. installation depth for float
46mm

X121-AA